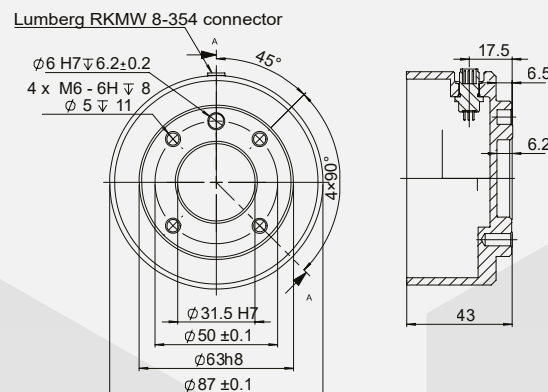


### Robotic Arm

<b>Payload</b>	16kg	
<b>Radius</b>	1100mm	
<b>Accuracy</b>	±0.05mm	
<b>Axis</b>	6	
<b>Joints rotation</b>	J1-J6	±360°
	J1-J2	120°/s
	J3	150°/s
<b>Joints speed</b>	J4-J6	180°/s
<b>Typical TCP Speed</b>	1.5 m/s	
<b>IP rating</b>	IP65 (optional IP68)	
<b>Temperature range</b>	-10~50°C	
<b>Relative humidity</b>	<90% (non-condensing)	
<b>Noise reduction</b>	<70db	
<b>Typical power usage</b>	435w	
<b>Mounting</b>	Any angle	
<b>Tool I/O connector</b>	M8, 8pin	
<b>Tool I/O ports</b>	4 config. DI / DO; 1 AI, 1 AO	
<b>Tool I/O power supply</b>	0 / 12V / 24V; 3A / 2A / 1A	
<b>Tool I/O communication</b>	RS485, Modbus RTU	
<b>Footprint</b>	Ø 190 mm	
<b>Weight</b>	33 kg	
<b>Material</b>	Aluminum, steel, plastic, rubber	
<b>Cable length</b>	5.5m*	
<b>Certifications</b>	ISO 13849, ISO 10218, ISO/TS 15066, ISO 14644 cleanroom class 5, RoHS; SEMI-S2; UL, CE, KCs	
<b>Programming</b>	Python-script, graphical proprietary user interface, free-drag/offline programming	

\* Optional cable lengths of 1.5m, 3m and 10m and additional extensions up to 10m are available.



### Standard controller

<b>Type</b>	AC
<b>I/O ports</b>	24 DI, 24 DO (8 safety config. DI/DO); 2 AI, 2 AO; 4 High-Speed DI
<b>I/O power supply</b>	24V/3A (internal), 6A (external)
<b>Communication</b>	RS485, Ethernet TCP/IP, Modbus TCP/RTU, Ethernet/IP slave, Profinet slave
<b>Size</b>	505mm x 257mm 462mm
<b>IP Rating</b>	IP44
<b>Weight</b>	14kg
<b>Power source</b>	100~240 VAC, 50~60 Hz
<b>Temperature range</b>	0~50°C
<b>Relative humidity</b>	5%~95% (non-condensing)
<b>Material</b>	Aluminum, Steel



The standard controller integrates a holder to optionally attach the TP

### OEM controller

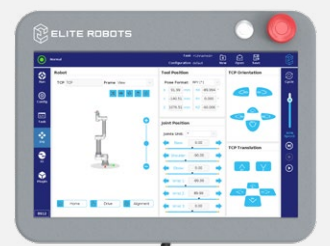
<b>Type</b>	DC / AC
<b>I/O ports</b>	24 DI, 24 DO (8 safety config. DI/DO); 2 AI, 2 AO; 4 High-Speed DI
<b>I/O power supply</b>	24V/3A (internal), 6A (external)
<b>Communication</b>	RS485, Ethernet TCP/IP, Modbus TCP/RTU, Ethernet/IP slave, Profinet slave
<b>Size</b>	495mm x 200mm x 227mm
<b>IP Rating</b>	IP40
<b>Weight</b>	5kg
<b>Power source</b>	19~72VDC / 100~240VAC, 50~60Hz
<b>Temperature range</b>	0~50°C
<b>Relative humidity</b>	5%~95% (non-condensing)
<b>Material</b>	Aluminum, Steel



The optional OEM controller is suitable for integrators, OEM partners and users who want to create their own custom design.

### Teach Pendant

	ERP400	ERP400S
<b>Size</b>	301mm x 232mm x 54mm	301mm x 232mm x 105mm
<b>Screen size</b>	12.1"	
<b>Resolution</b>	1280 x 800 pixels	
<b>IP rating</b>	IP54	
<b>Weight</b>	1.7 kg	1.6 kg
<b>Cable length</b>	5.5 m	
<b>Temperature range</b>	0~50°C	
<b>Relative humidity</b>	5%~95% (non-condensing)	
<b>Material</b>	Aluminum, plastic, rubber	
<b>Input method</b>	Capacitive full touch-screen	Capacitive full touch-screen, 3-mode enable key, jogging-keys, function keys



The CS teach pendant contains Elite Robots proprietary software. The optional ERP400S version integrates jogging and function keys and a 3-mode enable key for enhanced safety.